

HOTSTICK DISCONNECT SWITCHES

- POLE, SUBSTATION & INLINE OPTIONS AVAILABLE

BEST-IN-CLASS DESIGN & PERFORMANCE

Superior Mechanical Performance

- Rigid Blade Design
- Easiest blade to pull and close (longest mechanical advantage)
- Contact design avoids any areas for trapped ice to interfere with blade structure
- Large formed galvanised steel load buster hook
 - Optimally positioned for easy loadbuster tool attachment and removal after opening
 - Stronger than castings

Superior Electrical Performance

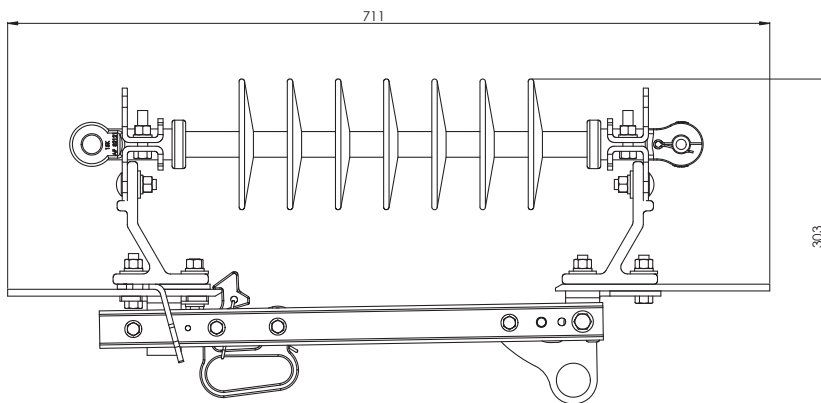
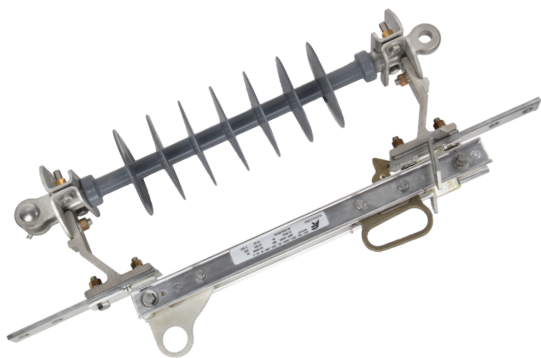
- Best electrical conductivity
- Full silver plating on hinge, contact and blades
- Maximum contact temperature 10-15% lower than competitors

Alternative configurations & connections available
25kA sym 1 sec short-time withstand

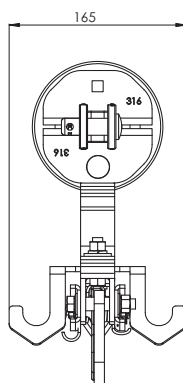
In-Line Disconnect

CAT NO: HDS-900-IN35S-200-NML

In-Line Disconnect Switch, 15-35kV, 900A, 200kV BIL silicone insulator, marine grade (316SS hardware and brackets. All Aluminium components nickel plated, all hex nuts silicon bronze)



- 900A
- 15-35kV
- Polymer Insulators
- Silver plated cooper blades
- Aluminium and HDG Steel Bases
- Integral 90° blade stop
- Silver plated brass contact and hinge
- Tin plated copper terminals
- Pull to Open / Pull to Close operation
- All Stainless Steel option



Single Insulator Disconnect

CAT NO: HDS-900-SI35S-170-B

Single Insulator Disconnect Switch, 35kV, 900A, 170kV BIL silicone insulator with NEMA B bracket



- 600 & 900A
- 15, 27 & 35kV
- Polymer & Porcelain Insulators
- Silver plated copper blades
- Integral 90° blade stop
- Silver plated brass contact and hinge
- With NEMA B Bracket
- Tin plated copper terminals

